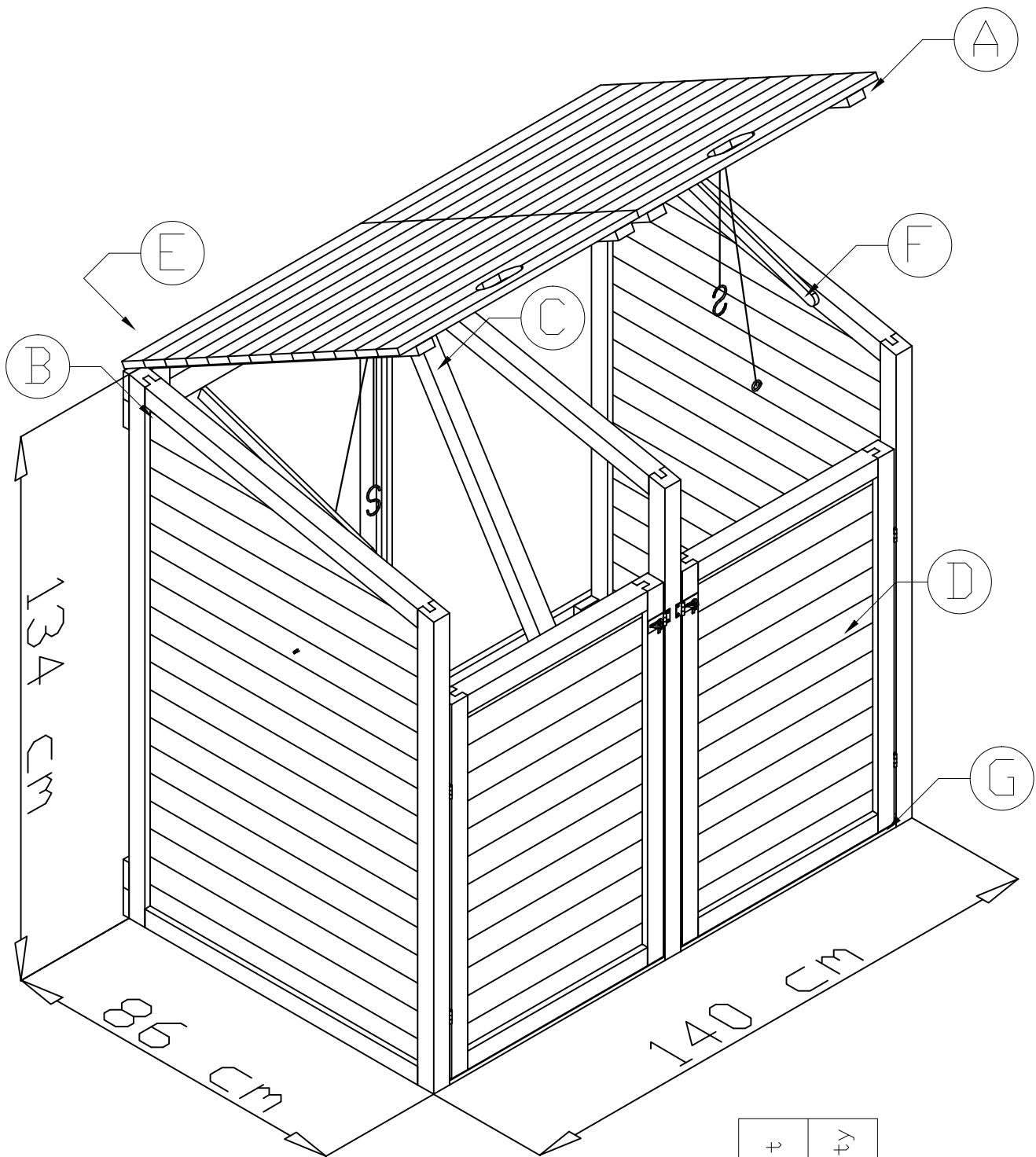


*Container storage double  
impregnated*



Element	Quantity	Measure [mm]
		A
B	2	1330 x 860 x 45
C	1	1330 x 860 x 45
D	2	945 x 620 x 45
E	4	700 x 136 x 35
F	1	685 x 40 x 15
G	2	630 x 10 x 20

Assembling parts		
#	Element	Q.
1	Wood screw $\varnothing 3.5 \times 40$	18
2	Wood screw $\varnothing 3 \times 16$	44

Article:

Container storage double impregnated

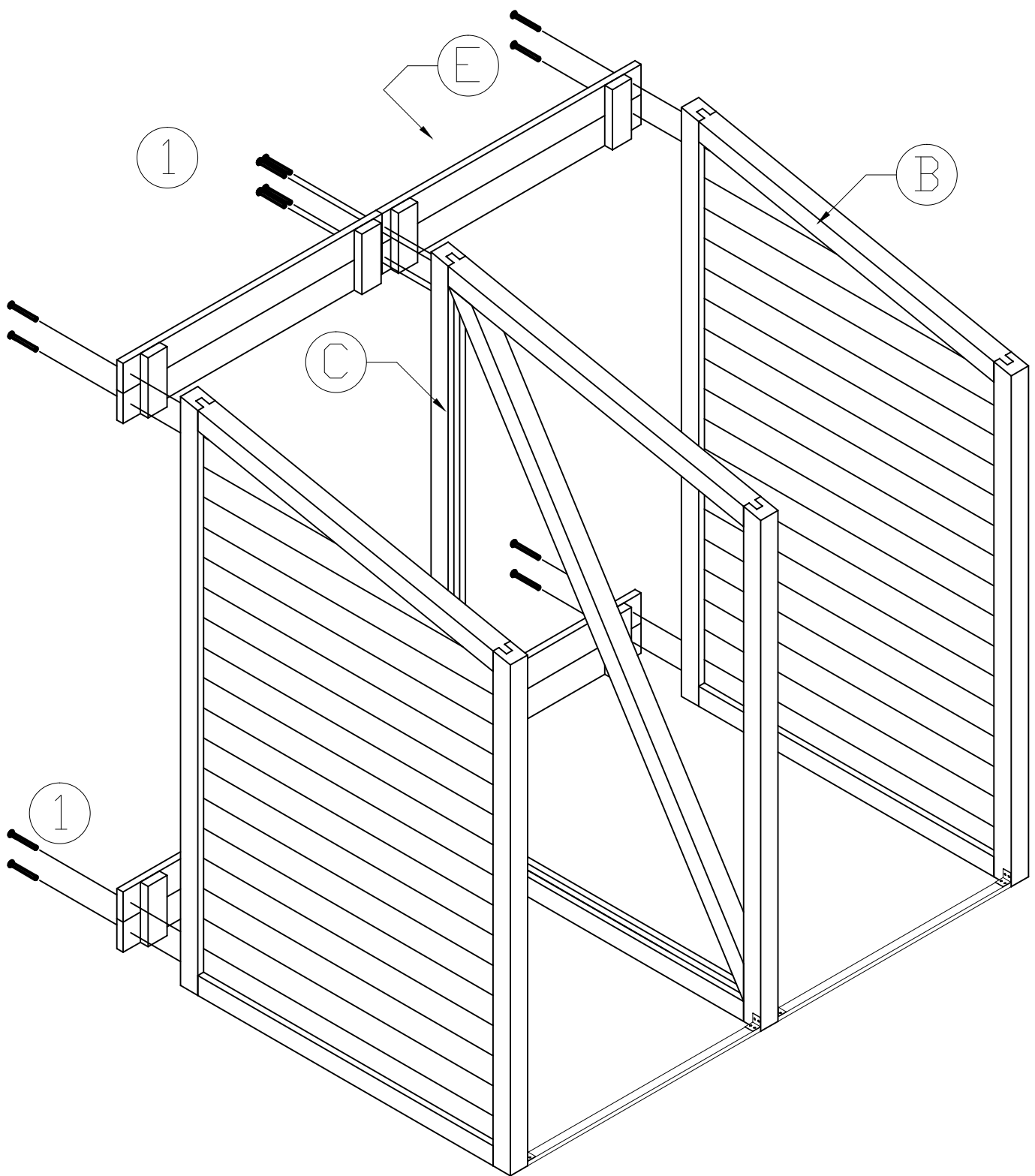
Page:

2/12

Article nr:

29.0005



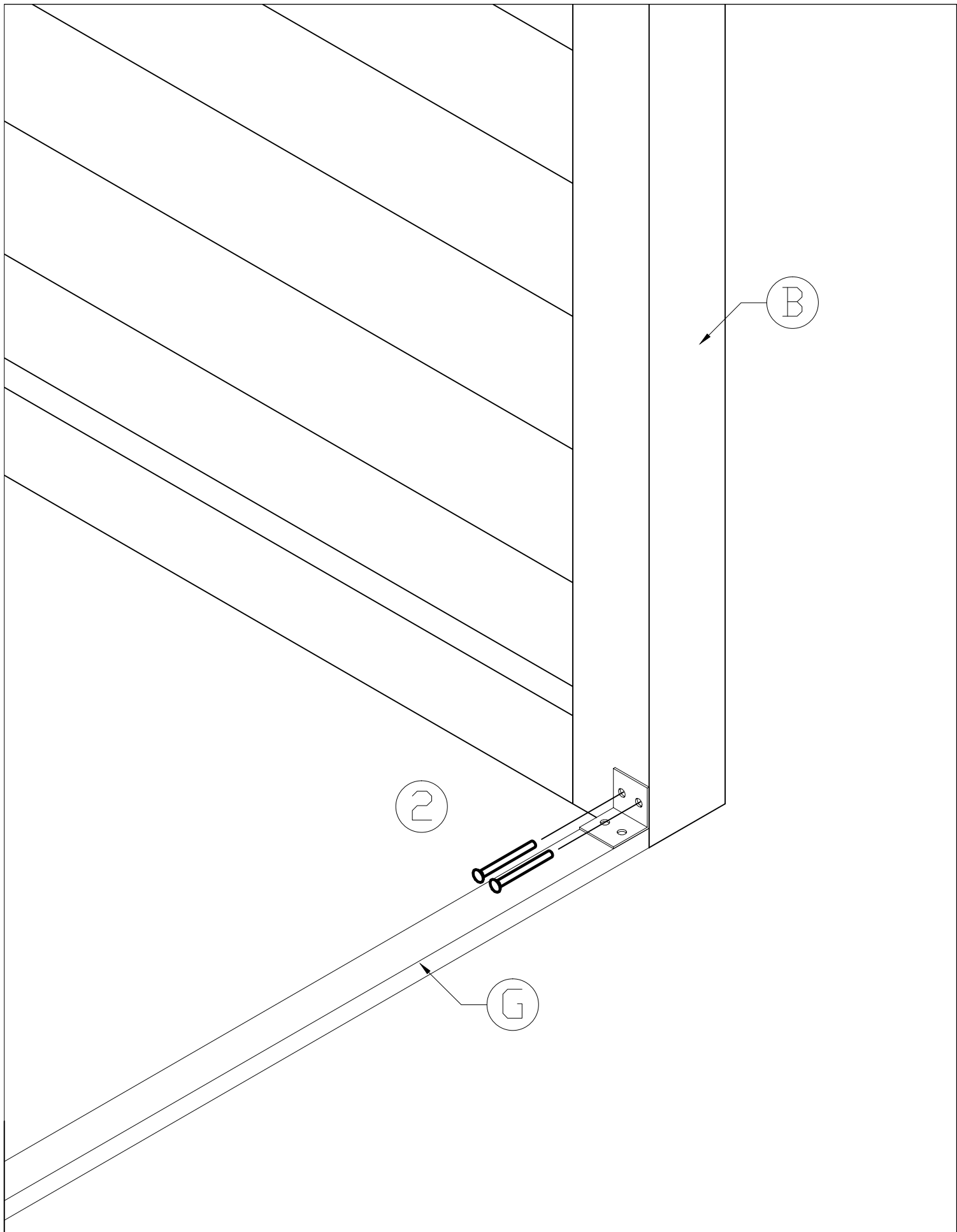


Article:  
Container storage double impr. - Assemblage

Page:  
3/12

Article nr:  
29.0005



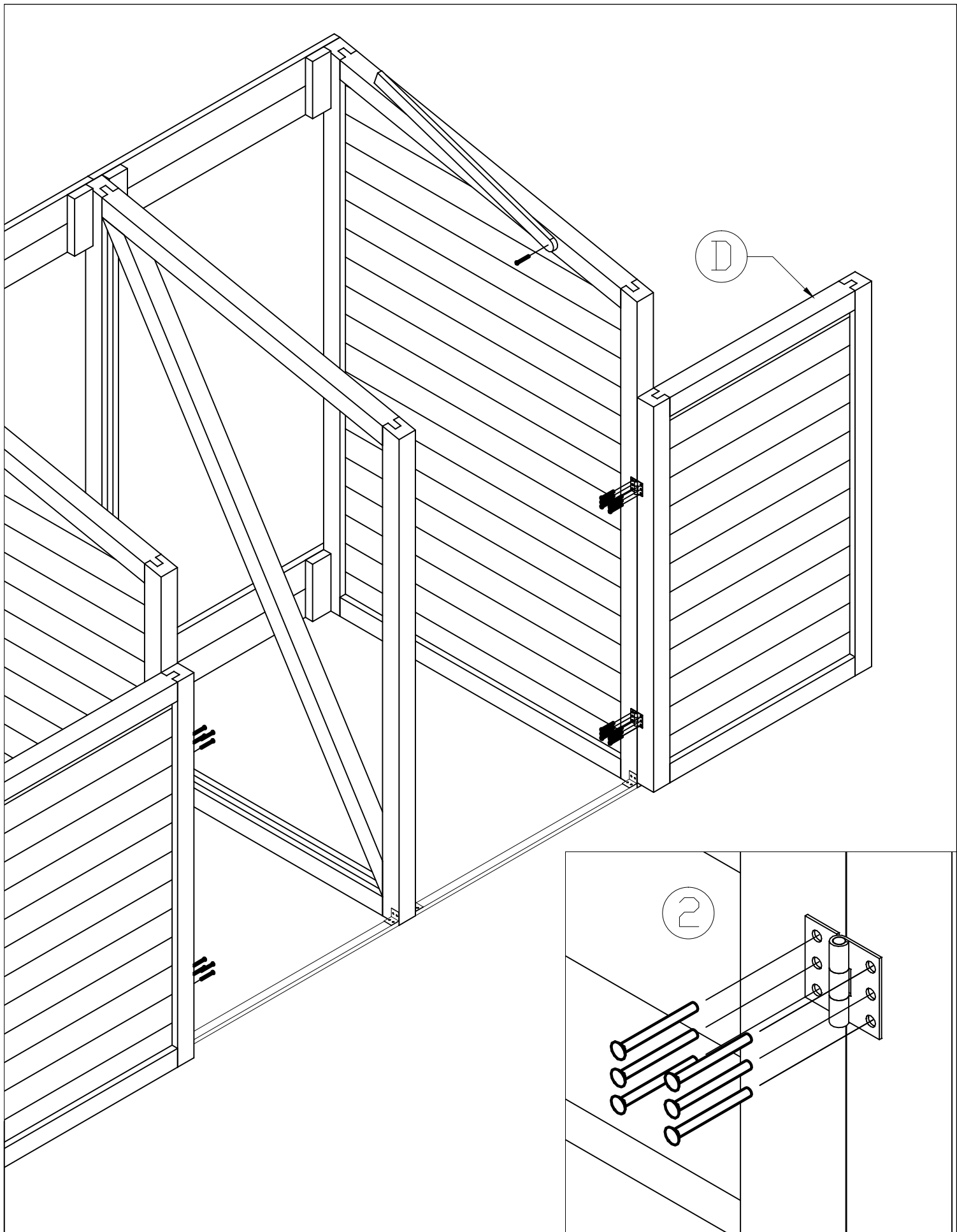


Article: Container storage double impr. - Assemblage

Page: 4/12

Article nr: 29.0005



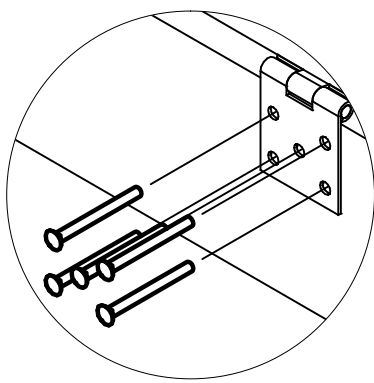
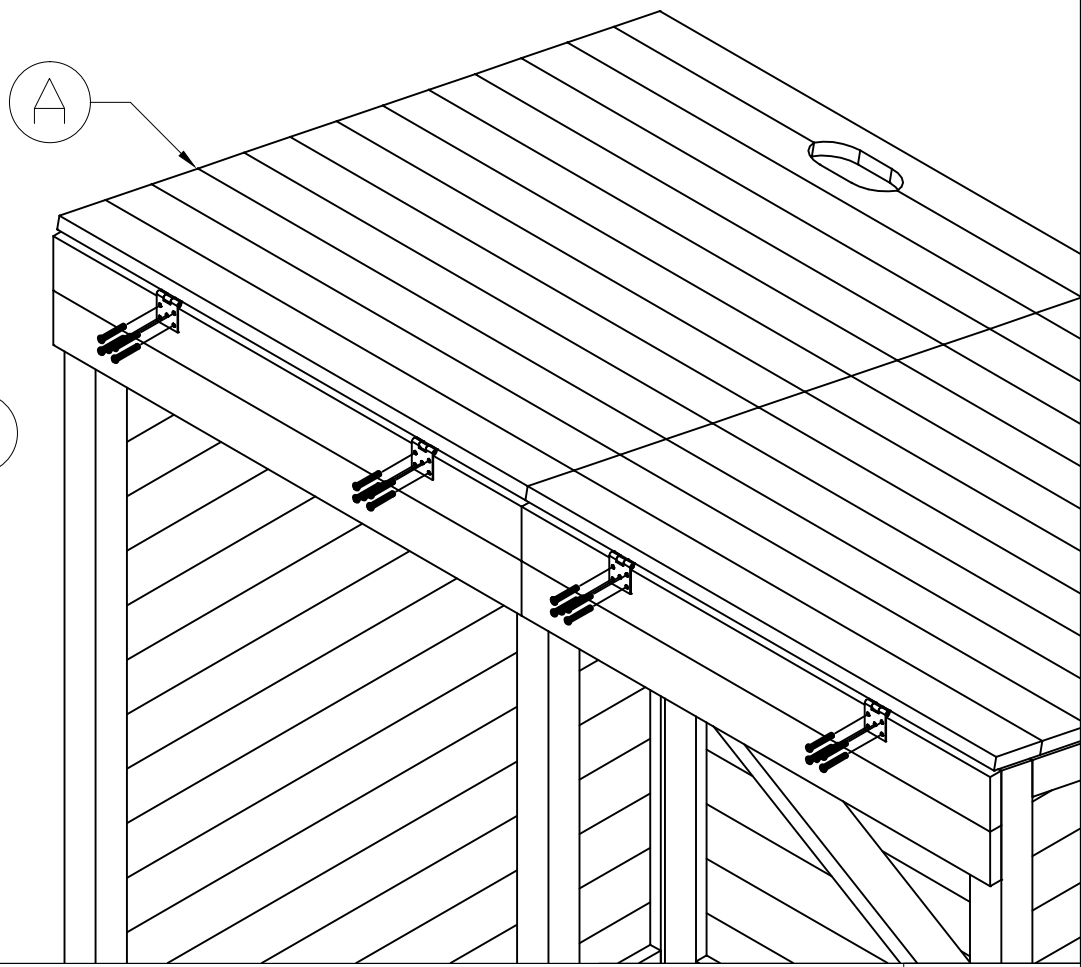
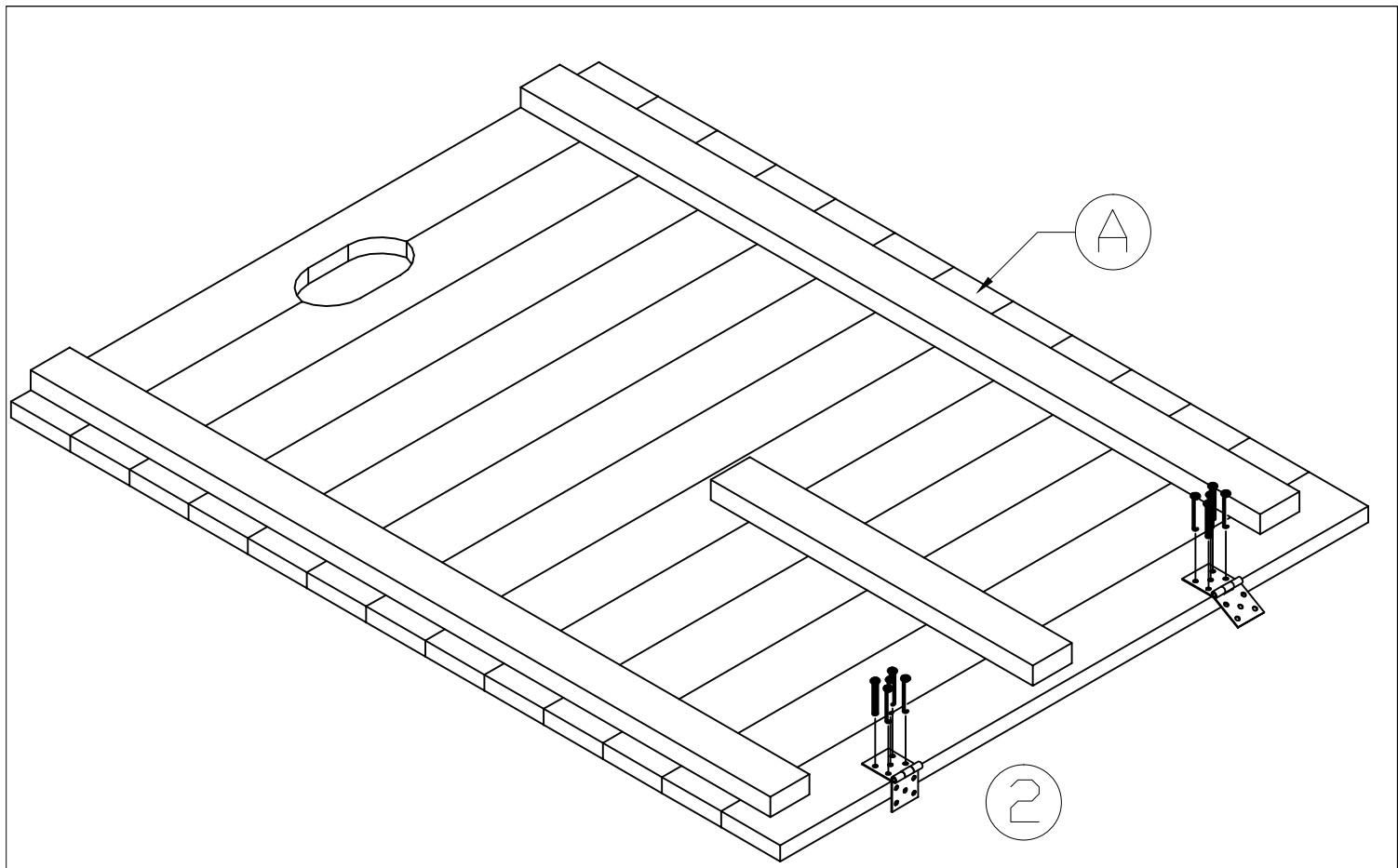


Article:  
Container storage double impr. - Assemblage

Page:  
5/12

Article nr:  
29.0005



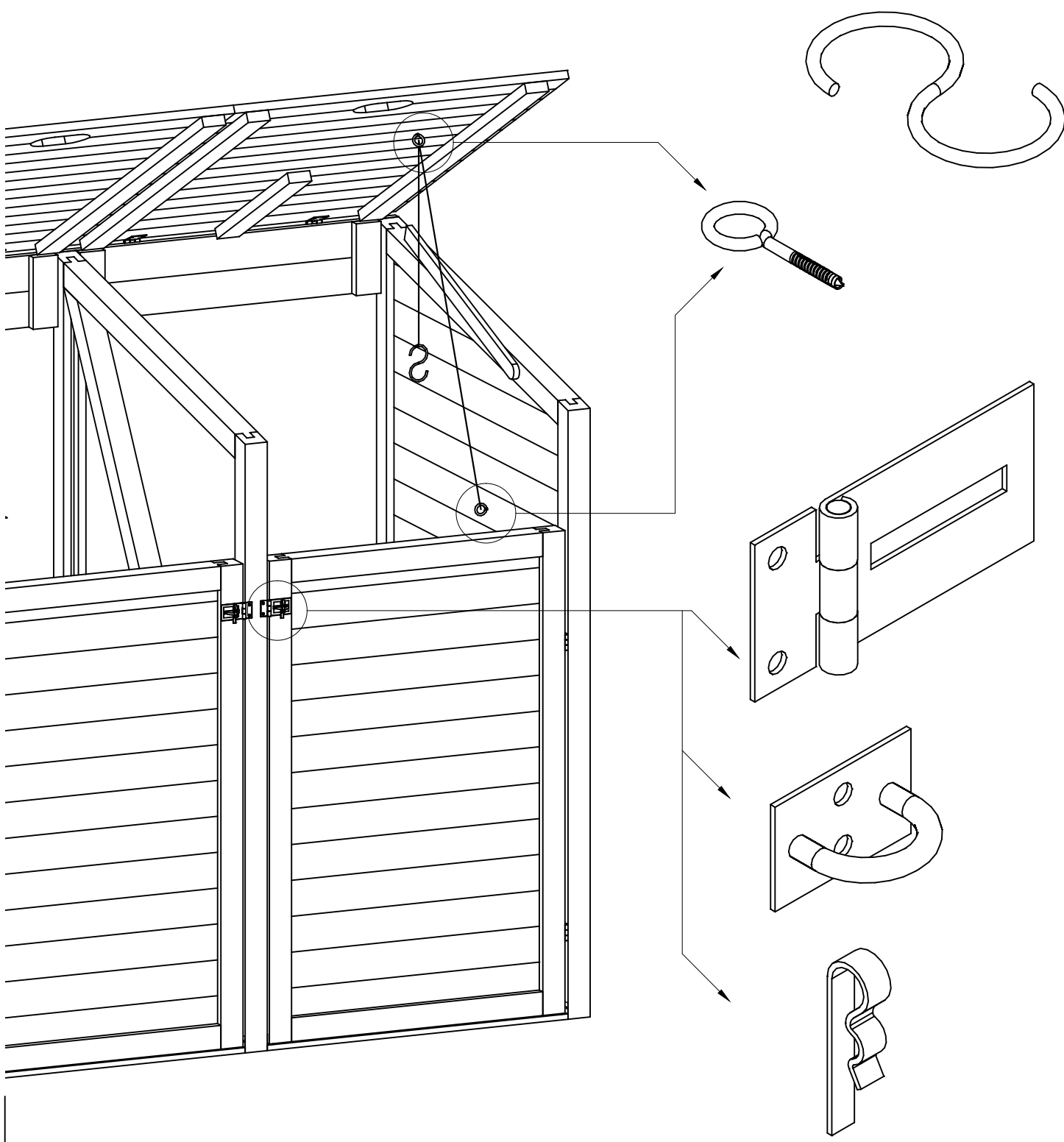


Article: Container storage double impr. - Assemblage

Page: 6/12

Article nr: 29.0005





Article:  
Container storage double impr. - Assemblage

Page:  
7/12

Article nr:  
29.0005

